

Hood KS inox



Hoods

Code: 2504 194

90 cm



DETAILS

Hood type Wall-mounted suction hood

Product details Telescopic chimney

Energy class A

Material Stainless steel

Texture Brushed in line

Operation Suction hood (filtering mode with optional carbon filters)

Grease filters Grease filtre in stainless steel

Type of commands Electronic pushbutton

Suction speed 4 operating speeds

Chimney height

Aspiring mode: 580-1000 mm / filtering mode: 650-1070 mm

Air exhaust hole

ø 120/150 mm

Motor power

224 W

Air flow rate

632 M³/h

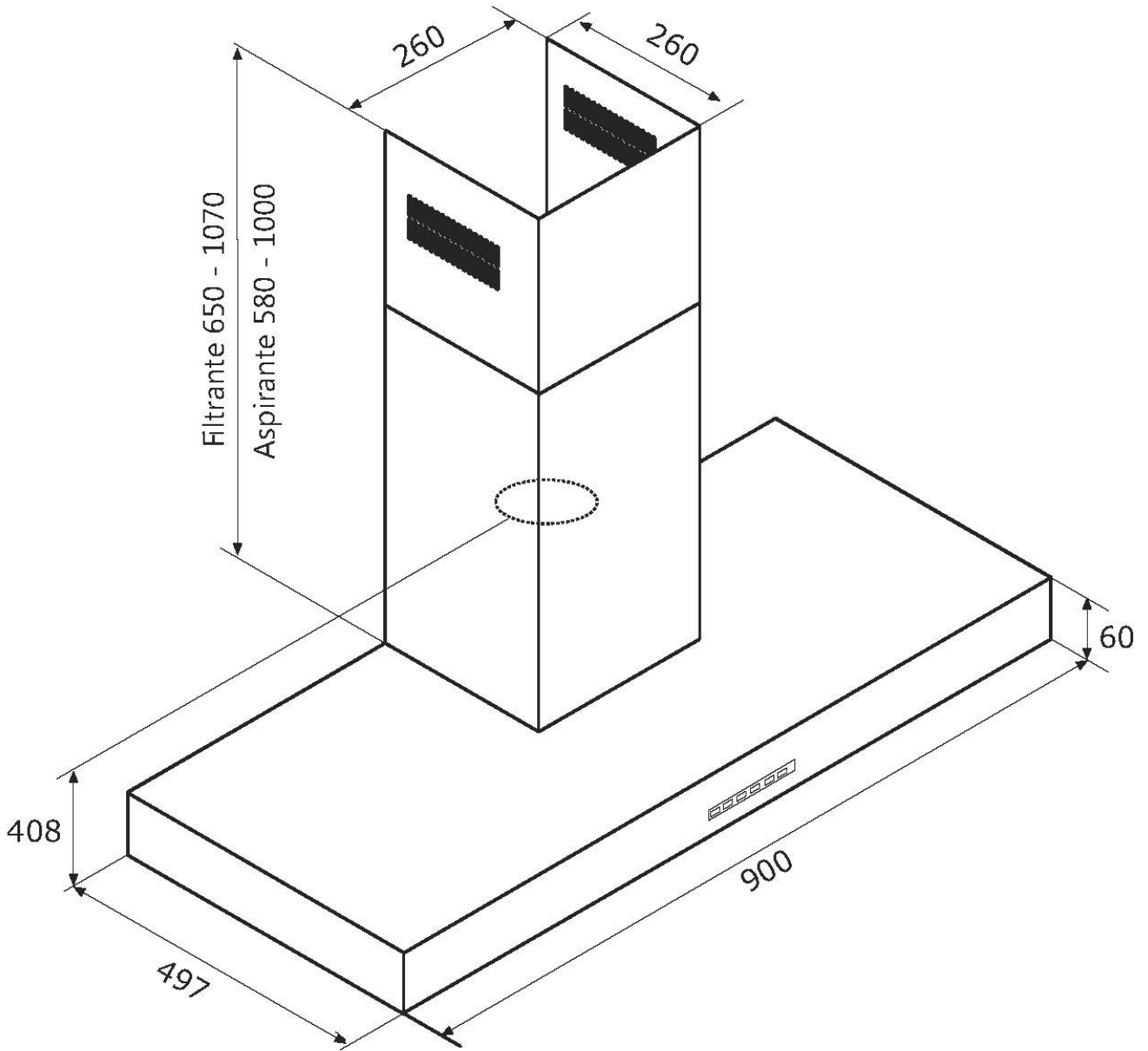
Lighting

LED lighting 2 x 1,2 W (4.000 kelvin)

Notes:

Fume exhaust ducts must have an internal diameter not lower than 120 mm

TECHNICAL DATA



OPTIONAL ACCESSORIES



Carbon filter

9700 517